

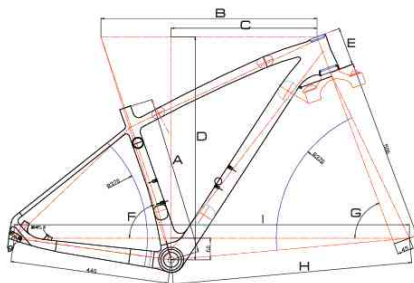
29ER Boost HARDTAIL MTB FRAME

M04



Specification

Use for: 29er Mountain bike
Frame: M04
Feature: Thru Axle (148mm)
Material: Full Toray Carbon
Finish: UD Matt/Clear coating
Frame weight: 1150±45g
Headset: Tapered (1-1/8" to 1-1/2")
Max Tire size: 3.5"
Bottom Bracket: BSA/BB30/PF30
Available sizes: 15.5"/17.5"/19"/21"



	A	B	C	D	E	F	G	H	I
15.5	390	580	392	615.6	105	73	69	656.1	1089.2
17.5	440	600	405	618	105	72.5	69.5	664.5	1097.7
19	480	620	422.2	627.4	115	72.5	69.5	685	1118.3
21	530	640	438.6	636.7	125	72.5	69.5	705.5	1138.8

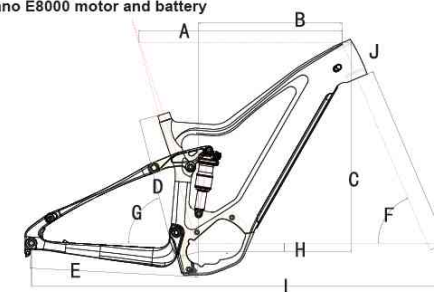
E-04 FOR SHIMANO MOTOR E-BIKE

E04



E-04 FOR SHIMANO MOTOR 27.5 PIUS 29ER BOOST

Use for: 29er Boost Suspension E-Bike
Frame: E-04 Shimano
Feature: Thru Axle (148mm) compatible
Material: Full T700 Toray Carbon
Finish: UD Matt/Clear coating
Headset: Tapered (1-1/8" to 1-1/2")
Rear shock: 185*50mm
Frame travel: 120mm
Available sizes: 16"/18"/20"
Tire size: 29er*2.3" or 27.5er*2.8"
Configuration: Shimano E8000 motor and battery



	A	B	C	D	E	F	G	H	I	J	K
16"	578	410	587	406	478	67	74.0	-15	1186	110	51
18"	610	445	620	457	478	67	74.0	-15	1215	120	51
20"	630	460	630	508	478	67	74.0	-15	1228	130	51

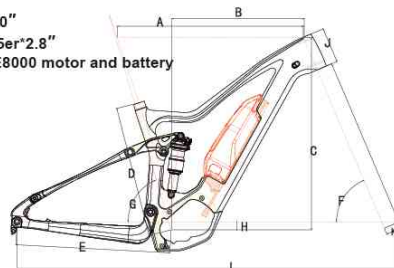
E-03 FOR SHIMANO MOTOR E-BIKE

E03



E-03 FOR SHIMANO MOTOR 27.5 PIUS 29ER BOOST

Use for: 29er Boost Suspension E-Bike
Frame: E-03 Shimano
Feature: Thru Axle (148mm) compatible
Material: Full T700 Toray Carbon
Finish: UD Matt/Clear coating
Headset: Tapered (1-1/8" to 1-1/2")
Rear shock: 185*50mm
Frame travel: 120mm
Available sizes: 16"/18"/20"
Tire size: 29er*2.3" or 27.5er*2.8"
Configuration: Shimano E8000 motor and battery



	A	B	C	D	E	F	G	H	I	J	K
16"	578	410	587	406	478	67	74.0	-15	1186	110	51
18"	610	445	620	457	478	67	74.0	-15	1215	120	51
20"	630	460	630	508	478	67	74.0	-15	1228	130	51

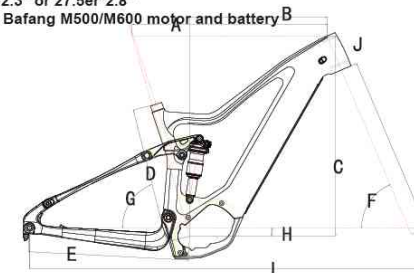
E-05 FOR BAFANG MOTOR E-BIKE

E05



E-05 FOR BAFANG MOTOR 27.5 PIUS 29ER BOOST

Use for: 29er Boost Suspension E-Bike
Frame: E-05 Bafang
Feature: Thru Axle (148mm) compatible
Material: Full T700 Toray Carbon
Finish: UD Matt/Clear coating
Headset: Tapered (1-1/8" to 1-1/2")
Rear shock: 185*50mm
Frame travel: 120mm
Available sizes: 16"/18"/20"
Tire size: 29er*2.3" or 27.5er*2.8"
Configuration: Bafang M500/M600 motor and battery



	A	B	C	D	E	F	G	H	I	J	K
16"	578	410	587	406	478	67	74.0	-15	1186	110	51
18"	610	445	620	457	478	67	74.0	-15	1215	120	51
20"	630	460	630	508	478	67	74.0	-15	1228	130	51

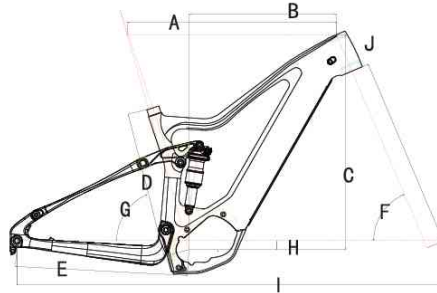
E-06 FOR BAFANG MOTOR FAT E BIKE

E06



E-06 FOR BAFANG MOTOR FAT E-BIKE

Use for: 26er Suspension E-Bike
Frame: E-06 Bafang
Material: Full T700 Toray Carbon
Finish: UD Matt/Clear coating
Rear shock: 185*50mm
Frame travel: 120mm
Available sizes: 16"/18"/20"
Tire size: 26er*4.0"/4.8"
Configuration: Bafang M620 Motor 1000W 48V 14.4AH



	A	B	C	D	E	F	G	H	I	J	K
16"	578	410	587	406	478	67	74.0	-15	1186	110	51
18"	610	445	620	457	478	67	74.0	-15	1215	120	51
20"	630	460	630	508	478	67	74.0	-15	1228	130	51

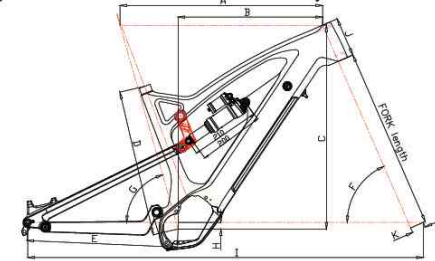
E-08 AM FOR SHIMANO MOTOR E-BIKE

E08



E-08 FOR SHIMANO MOTOR

Use for: full suspension E-bike
Frame: E08
Material: Toray T700 carbon fiber
Headset: 1-1/8" to 1-1/2" (OD 51/62mm / ID 44/56mm)
Hub spacing: 148*12mm
Brake: 180mm disc brake post mount
Front derailleur mount: W/O
Frame travel: 200-50/200-57mm;210-47.5/210-50/210-55mm
Available sizes:15.5"/17.5"/19.5"/21"
Wheel size: 27.5 plus/29er
Tire size: 27.5*2.6/2.8/3.0
Configuration: Shimano motor and Dqarfon battery



	A	B	C	D	E	F	G	H	I	J	K
15.5	589	415	611	395	458	66.5	74	-20	1175	110	42
17.5	617	440	620	445	458	66.5	74	-20	1204	120	42
19.5	639	460	630	495	458	66.5	74	-20	1228	130	42
21	662	480	639	533	458	66.5	75	-20	1252	140	42

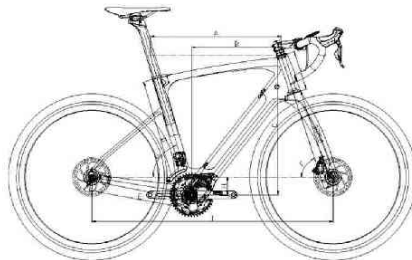
E-07 FOR BAFANG MOTOR E-BIKE

E07



E-05 FOR BAFANG MOTOR

Use for: 700C*45mm E-Bike
Frame: E-07 Bafang M800
Feature: Thru Axle (142mm) compatible
Material: Full T700 Toray Carbon
Finish: UD Matt/Clear coating
Headset: Tapered (1-1/8" to 1-1/2")
Available sizes: 49/52/54/56/58/61cm
Tire size: 700C*45
Configuration: Bafang motor and battery



Sizes	A	B	C	D	E	F	G	H	I	J	K
49	510.8	360	543.8	450	425	70.5	74.5	75	997.4	130	50
52	524.5	370	557	480	425	71.5	74.5	75	1002.3	140	50
54	547.6	375	582.6	510	425	72	74.5	75	1010.8	165	50
56	561.8	385	597	530	425	72	74.5	75	1025.5	180	50
59	578	395	618	550	425	72.5	74.5	75	1037	200	50

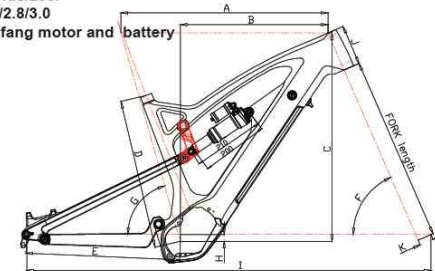
E-09 AM FOR BAFANG MOTOR E-BIKE

E09



E-09 FOR BAFANG MOTOR

Use for: full suspension E-bike
Frame: E09
Material: Toray T700 carbon fiber
Headset: 1-1/8" to 1-1/2" (OD 51/62mm / ID 44/56mm)
Hub spacing: 148*12mm
Brake: 180mm disc brake post mount
Front derailleur mount: W/O
Frame travel: 200-50/200-57mm;210-47.5/210-50/210-55mm
Available sizes:15.5"/17.5"/19.5"/21"
Wheel size: 27.5 plus/29er
Tire size: 27.5*2.6/2.8/3.0
Configuration: Bafang motor and battery



	A	B	C	D	E	F	G	H	I	J	K
15.5	589	415	611	395	458	66.5	74	-20	1175	110	42
17.5	617	440	620	445	458	66.5	74	-20	1204	120	42
19.5	639	460	630	495	458	66.5	74	-20	1228	130	42
21	662	480	639	533	458	66.5	75	-20	1252	140	42

E-01 29ER BAFANG MOTOR E-BIKE

E01



Specification

Use for: 29er E-Bike
 Frame: E-01 Bafang
 Feature: QR(135mm) and Thru Axle(142mm) compatible
 Material: Full T700 Toray Carbon
 Finish: UD Matt/Clear coating
 Headset: Tapered (1-1/8" to 1-1/2")
 Frame weight: 1300±45g
 Available sizes: 16"/18"/20"
 Tire size: 29er*2.3" or 27.5er*2.8"
 Configuration: Bafang M400 motor and battery

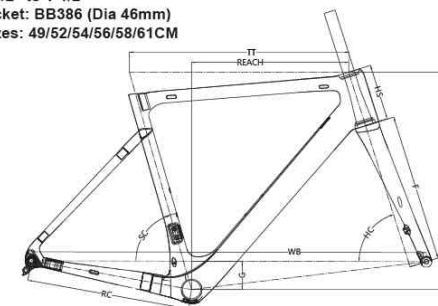
Flat Mount Aero Road Disc Frame

R12



Specification

Use for: Disc Road Frame (Rim Brake version also available)
 Frame: R12
 Fork: R12
 Material: Full Toray carbon
 Finish: UD Matt/Clear coating
 Frame Weight: 980g±45g
 Fork Weight: 380±25g
 Headset: 1-1/2" to 1-1/2"
 Bottom Bracket: BB386 (Dia 46mm)
 Available sizes: 49/52/54/56/58/61CM



SIZE	S	HS	G	OC	MC	PC	TR	TT	OP	F	STAKE	REACH
49	470	110	71	74"	72"	415	960	518	43	370	507	372.5
52	490	120	71	74"	72.5"	415	981	535	43	370	527	354
54	510	140	71	74"	72.5"	415	996	550	43	370	545.5	391.5
56	530	160	71	73"	73"	415	997	565	43	370	563	392
58	550	180	71	73"	73"	415	1014	582	43	370	594	400.5
61	570	210	71	72.5"	73.5"	415	1021	600	43	370	614	404

E-02 FOR BAFANG MOTOR E-BIKE

E02



E-02 FOR BAFANG MOTOR 29ER BOOST

Use for: 29er Boost Suspension E-Bike
 Frame: E-02 Bafang
 Feature: Thru Axle (148mm) compatible
 Material: Full T700 Toray Carbon
 Finish: UD Matt/Clear coating
 Headset: Tapered (1-1/8" to 1-1/2")
 Rear shock: 165*38mm
 Frame travel: 110mm
 Available sizes: 16"/18"/20"
 Tire size: 29er*2.3" or 27.5er*2.8"
 Configuration: Bafang M400 motor and battery

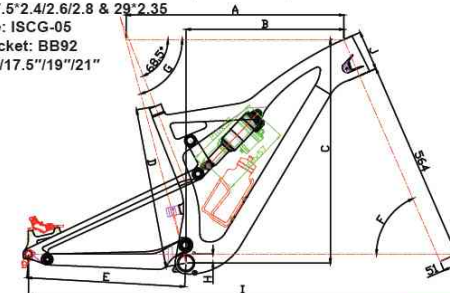
CARBON ALL MOUNTAIN FULL SUSPENSION 27.5 Boost (29ER)

M08



CARBON ALL MOUNTAIN FULL SUSPENSION 27.5 Plus/29er Boost

Use for: All-mountain full suspension bike
 Frame: M08
 Feature: Boost 110*15/148*12mm
 Material: Full T700 Toray Carbon
 Headset: 1-1/8" to 1-1/2" (OD 51/62mm / ID 44/56mm)
 Hub spacing: 148*12mm
 Brake: 180mm disc brake post mount
 Front derailleur: D-TYPE Side Swing
 Frame travel: 135-152mm
 Rear shock: 200-50/200-57mm; 210-50/210-55mm
 Crank: Boost+3mm chainline single speed & two speed
 Tire size: 27.5*2.4/2.6/2.8 & 29*2.35
 Chain guide: ISCG-05
 Bottom Bracket: BB92
 Sizes: 15.5"/17.5"/19"/21"



	A	B	C	D	E	F	G	H	I	J
15.5"	573	410	609	395	440	66.5	75	-20	1161	100
17.5"	605	440	618	445	440	66.5	75	-20	1195	110
19"	629	460	631	480	440	66.5	75	-20	1221	125
21"	651	480	641	520	440	66.5	75	-20	1245	135

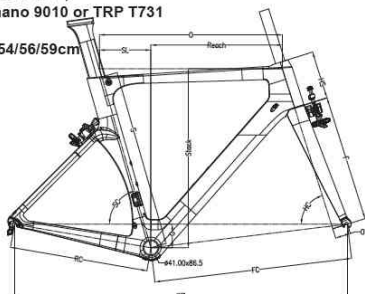
Aero Road Frame

R06



Specification

Use for: Road Bike (Di2 compatible)
Frame: R06
Fork: FK06
Material: Full Toray Carbon
Finish: UD Matt/Clear Coating
Frame weight: 1120±30g
Fork weight: 380±15g
Headset: Tapered (1-1/8" to 1-1/2")
Suitable For Brakes: Shimano 9010 or TRP T731
Bottom Bracket: BB86
Available sizes: 46/49/52/54/56/59cm



SIZE	S	SC	SL	O	HS	HC	F	OT	WB	FC	RC	G	Stack	Reach
49	480	74.5"	141	515	130	71.5"	370	45	967.6	527.7	405	69	510	373.4
52	500	74.5"	143.2	525	135	72"	370	45	973.6	578.6	405	69	516.5	381.8
54	520	74"	150	535	140	72.5"	370	45	974.5	579.5	405	69	523.7	384.6
56	540	73.5"	161	545	160	73"	370	45	975.2	580.3	405	69	543.2	385
59	560	73.5"	165	560	180	73"	370	45	990	595	405	69	558.3	395

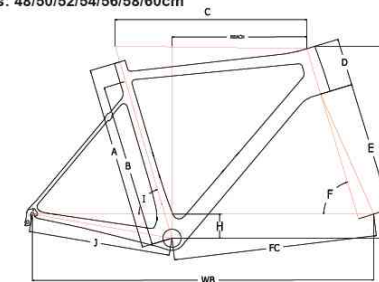
ROAD FRAME

R02



Specification

Use for: Road bike (Di2 compatible)
Frame: R02
Fork: FO007
Material: Toray full carbon
Finish: UD Matt/Clear coating
Frame weight: 1100±25g
Fork weight: 380±15g
Headset: Tapered (1-1/8" to 1-1/2")
Bottom Bracket: BSA/BB30/PF30
Available sizes: 48/50/52/54/56/58/60cm



SIZE	A	REACH	STACK	B	C	D	E	F	H	I	J	FC	WB
48	465mm	374	508	420	515	110	370	71	69	74.5	405	577	972
50	485mm	381	517	440	525	115	370	72	69	74.5	405	578	973
52	505mm	384	523.5	460	535	120	370	72.5	69	74"	405	579.5	975
54	525mm	385	541	480	545	136	370	73	69	73.5"	405	580.2	975
56	545mm	394.5	578	500	560	135	370	73	69	73.5"	405	594.9	990
58	565mm	398	579	520	575	175	370	73.5	69	73"	405	600	995
60	585mm	401.5	598	540	590	195	370	73.5	69	72.5"	405	609	1004

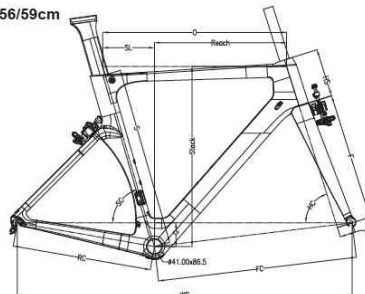
Flat Mount Disc Frame

R06 DISC



Specification

Use for: Flat Mount Disc Road Bike
Frame: R06
Fork: FK099
Material: Full Toray Carbon
Finish: UD Matt/Clear Coating
Frame weight: 1120±30g
Fork weight: 380±15g
Headset: Tapered (1-1/8" to 1-1/2")
Bottom Bracket: BB86
Available sizes: 46/49/52/54/56/59cm



SIZE	S	SC	SL	O	HS	HC	F	OT	WB	FC	RC	G	Stack	Reach
49	480	74.5"	141	515	130	71.5"	370	45	967.6	527.7	405	69	510	373.4
52	500	74.5"	143.2	525	135	72"	370	45	973.6	578.6	405	69	516.5	381.8
54	520	74"	150	535	140	72.5"	370	45	974.5	579.5	405	69	523.7	384.6
56	540	73.5"	161	545	160	73"	370	45	975.2	580.3	405	69	543.2	385
59	560	73.5"	165	560	180	73"	370	45	990	595	405	69	558.3	395

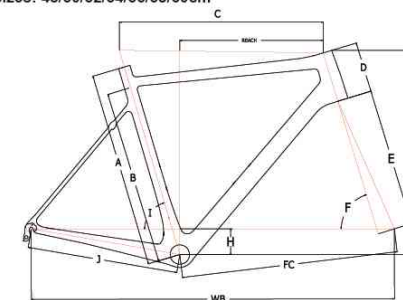
Flat Mount Disc Frame

R02 DISC



Specification

Use for: Flat Mount Disc Frame
Frame: R02
Fork: FK099
Material: Toray full carbon
Finish: UD Matt/Clear coating
Frame weight: 1100±25g
Fork weight: 380±15g
Headset: Tapered (1-1/8" to 1-1/2")
Bottom Bracket: BSA/BB30/PF30
Available sizes: 48/50/52/54/56/58/60cm



SIZE	A	REACH	STACK	B	C	D	E	F	H	I	J	FC	WB
48	465mm	374	508	420	515	110	370	71	69	74.5	405	577	972
50	485mm	381	517	440	525	115	370	72	69	74.5	405	578	973
52	505mm	384	523.5	460	535	120	370	72.5	69	74"	405	579.5	975
54	525mm	385	541	480	545	136	370	73	69	73.5"	405	580.2	975
56	545mm	394.5	578	500	560	135	370	73	69	73.5"	405	594.9	990
58	565mm	398	579	520	575	175	370	73.5	69	73"	405	600	995
60	585mm	401.5	598	540	590	195	370	73.5	69	72.5"	405	609	1004

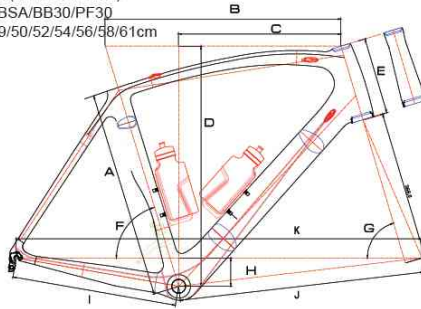
Aero Road Frame

FM098-V2



Specification

Use for: Road bike (Di2 compatible)
Frame: FM098-V2
Fork: FO007
Material: Toray full carbon
Routing: Full Internal cable
Finish: UD Matt/Clear coating
Frame weight: 1050±45g
Fork weight: 380±15g
Headset: Tapered (1-1/8" to 1-1/2")
Bottom Bracket: BSA/BB30/PF30
Available sizes: 49/50/52/54/56/58/61cm



	A	B	C	D	E	F	G	H	I	J	K
490	440	518.2	373.2	505.8	100	74	73	70	405	556	950.3
520	460	537.5	384	525	120	73.7	73	70	405	572.3	967
540	480	548.35	387.16	544.19	140	73.5	73	70	405	581.33	976
560	500	565	395	565	160	73.25	73.5	70	405	590.59	985.3
580	520	582.5	401	593.7	190	73	73.5	70	405	605	1001.9
610	550	600	406.2	614.6	210	72.5	74	70	405	611.1	1011.1

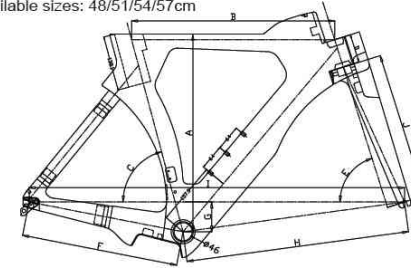
TT FRAME

TT01



Specification

Use for: Time Trial Frameset (Di2 compatible)
Frame: TT01
Material: full Toray carbon
Finish: UD Matt/Clear coating
Frame weight: 1750g (54cm)
Fork weight: 425g
Stem weight: 420g (Aluminum)
Headset: Straight (1-1/8")
Bar size: 420mm
Stem size: 100mm
BB: BB386 (Dia 46mm)
Max Tire size: 700*25C
Available sizes: 48/51/54/57cm



SIZE	A	B	C	D	E	F	G	H	I	J
480	497.5	511.5	75°	71.5	72.5°	395	75	563	945.7	370
510	510	532	75°	81.5	72.5°	395	75	583.8	966.7	370
540	535.6	550	75°	100	72.5°	395	75	602.4	985.5	370
570	569.5	570	75°	118	72.5°	395	75	622.5	1005.8	370

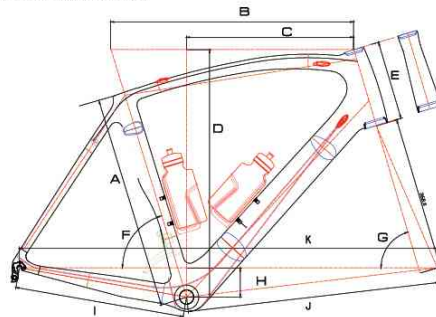
Flat Mount Disc Frame

FM099



Specification

Use for: Flat Mount Disc Frame
Frame: FM099
Fork: FO099
Material: Toray full carbon
Finish: UD Matt/Clear coating
Frame weight: 1050±45g
Fork weight: 380±15g
Headset: Tapered (1-1/8" to 1-1/2")
Bottom Bracket: BSA/BB30/PF30
Max Tire size: 32C
Sizes: 49/50/52/54/56/58/61cm



	A	B	C	D	E	F	G	H	I	J	K
490	440	518.2	373.2	505.8	100	74	73	70	405	556	950.3
520	460	537.5	384	525	120	73.7	73	70	405	572.3	967
540	480	548.35	387.16	544.19	140	73.5	73	70	405	581.33	976
560	500	565	395	565	160	73.25	73.5	70	405	590.59	985.3
580	520	582.5	401	593.7	190	73	73.5	70	405	605	1001.9
610	550	600	406.2	614.6	210	72.5	74	70	405	611.1	1011.1

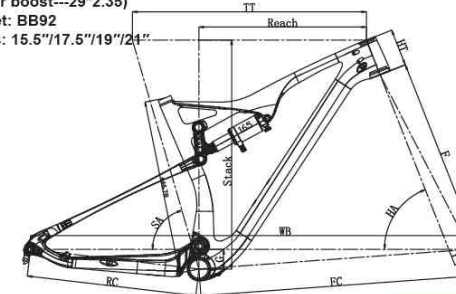
FULL SUSPENSION MTB FRAME

M06



Specification

Use for: (29er XC Mountain Bike)
(27.5er boost XC Mountain Bike)
(29er boost XC Mountain Bike)
Frame: M06/FM016/FM026
Feature: QR and Thru Axle compatible (142mm) (148mm)
Material: Full Toray carbon (EPS Made)
Finish: UD Matt/Clear coating
Frame Weight: 1850g±45g
Headset: Tapered (1-1/8" to 1-1/2")
MAX Tire: (29er XC---29"2.1)
(27.5 boost---27.5"3.0)
(29er boost---29"2.35)
Bottom Bracket: BB92
Available sizes: 15.5"/17.5"/19"/21"



SIZE	S	Stack	Reach	SA	TT	HA	HT	OT	F	G	FC	RC	WB
15.5"	395	581.7	396	73.8°	565	68.5°	90	51	500	50.5	662	435	1092.2
17.5"	449	587	429.5	73.8°	600	68.5°	95	51	500	50.5	697.4	435	1127.7
19"	483	595.6	444	73.8°	617	68.5°	105	51	500	50.5	715.3	435	1145.6
21"	533	605	462.2	73.8°	638	68.5°	115	51	500	50.5	737.2	435	1167.5

Road Frame

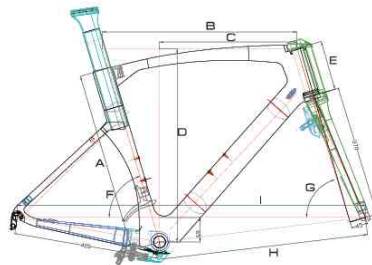
FM228



Specification

Use for: Road bike (DI2 compatible)
Frame: FM228
Fork: FO228
Material: Full T700 Toray Carbon
Routing: Full Internal cable
Finish: UD Matt/Clear coating
Frame weight: 1150±45g
Fork weight: 380±15g
Headset: 1-1/8"
Bottom Bracket: BSA/BB30/PF30
Sizes: 49/50/52/54/56/58/61cm

	A	B	C	D	E	F	G	H	I
490	460	518	382.7	505	100	75	72.3	571.1	965.2
520	490	537	386	526.5	120	74	73	574.5	970
540	510	548	387.1	543.1	140	73.5	73	580.8	976.1
560	530	565	395.3	563.9	160	73.3	73.5	590.3	985.8
580	550	582	401.3	581.6	180	73	73.5	604.4	1002.6
610	580	600	409.8	602.5	200	72.5	74	611	1012.3



Super light ROAD FRAME

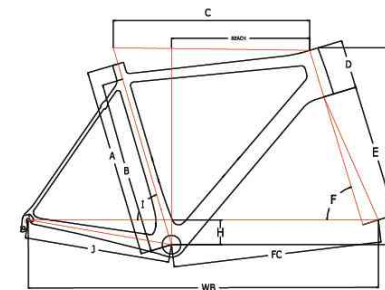
R01



Specification

Use for: Road bike (DI2 compatible)
Frame: R01
Fork: FO007
Material: Toray full carbon
Finish: UD Matt/Clear coating
Frame weight: 820±45g
Fork weight: 295±15g
Headset: Tapered (1-1/8" to 1-1/2")
Bottom Bracket: BSA/BB30/PF30
Sizes: 48/50/52/54/56/58/60cm

SIZE	A	REACH	STACK	B	C	D	E	F	H	I	J	FC	WB
480	465mm	374	500	420	515	110	370	71	69	74.5	405	577	972
500	485mm	381	517	440	525	115	370	72	69	74.5	405	578	973
520	505mm	384	523.5	460	535	120	370	72.5	69	74	405	579.5	975
540	525mm	385	541	480	545	126	370	73	69	73.5	405	580.2	975
560	545mm	394.5	578	500	560	135	370	73	69	73.5	405	594.9	990
580	565mm	398	579	520	575	145	370	73.5	69	73	405	608	995
600	585mm	403.5	598	540	590	155	370	73.5	69	72.5	405	609	1004



Aero Road Frame

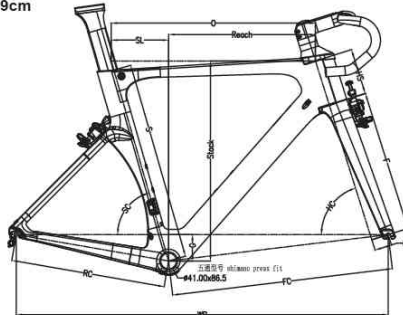
R05



Specification

Use for: Road Bike (DI2 compatible)
Frame: R05
Fork: FK05
Handlebar: HB05
Material: Full Toray Carbon
Finish: UD Matt/Clear coating
Frame weight: 1140±45g
Headset: 1-1/8"
Bottom Bracket: BB86
Suitable for brakes: Shimano 9010 or TRP T731
Sizes: 49/52/54/56/59cm

SIZE	S	SC	SL	O	HS	HC	F	OT	WB	FC	RC	G	Stack	Reach
49	480	74.5"	141	515	110	71.5"	370	45	967.6	527.7	405	69	510	373.4
52	500	74.5"	143.2	525	115	72"	370	45	973.6	578.6	405	69	516.5	381.8
54	520	74"	150	535	120	72.5"	370	45	974.5	579.5	405	69	523.7	384.8
56	540	73.5"	161	545	140	73"	370	45	975.2	580.3	405	69	543.2	385
59	560	73.5"	165	560	160	73"	370	45	990	585	405	69	558.3	395



TT FRMAE

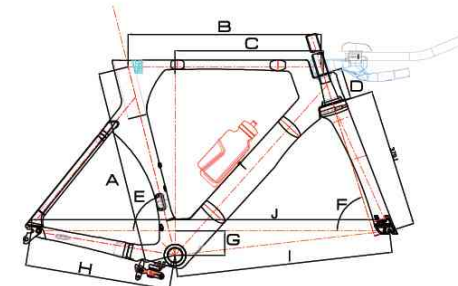
FM068



Specification

Use for: Time Trial Frame (DI2 compatible)
Frame: FM068
Fork: FO068
Material: Full Toray carbon
Finish: UD Matt/Clear coating
Frame weight: 1280±45g
Fork weight: 395g±25g
Seatpost weight: 215g±15g
Headset: Tapered (1-1/8")
BB: BSA/BB30/PF30
Max Tire size: 700*25C
Available sizes: 50/52/54/56CM

A	B	C	D	E	F	G	H	I	J
500	490	373	70	76	72.5	65	390	550.4	931.1
520	517	397.4	82.8	76	72.5	65	390	578.5	959.4
540	550	427.1	95.8	76	73	65	390	608.1	989.2
560	570	442.4	115.4	76	73	65	390	629.1	1010.3



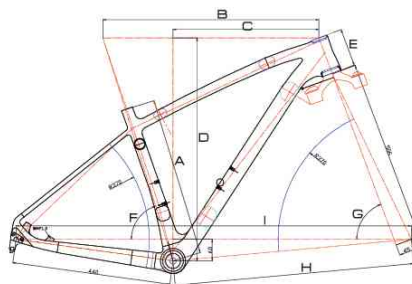
29ER Super Light MTB FRAME

FM218



Specification

Use for: 29er Mountain bike
Frame: FM218
Feature: QR (135mm) and Thru Axle (142mm) compatible
Material: Full Toray Carbon
Finish: UD Matt/Clear coating
Frame weight: 950±45g
Headset: Tapered (1-1/8" to 1-1/2")
Bottom Bracket: BSA/BB30/PF30
Available sizes: 15.5"/17.5"/19"/21"



	A	B	C	D	E	F	G	H	I
15.5	390	580	392	615.6	105	73	69	656.1	1089.2
17.5	440	600	405	618	105	72.5	69.5	664.5	1097.7
19	480	620	422.2	627.4	115	72.5	69.5	685	1118.3
21	530	640	438.6	636.7	125	72.5	69.5	705.5	1138.8

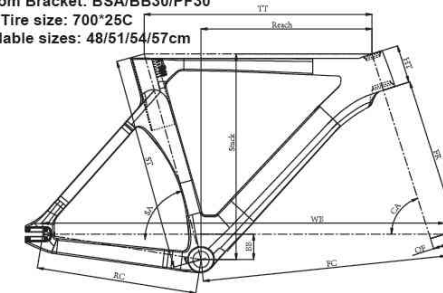
TRACK FRAME

FM128



Specification

Use for: Track bike/Fixed Gear Bike
Frame: FM128
Fork: FO128
Material: Full Toray Carbon
Finish: UD Matt/Clear coating
Frame weight: 1460g (54cm)
Fork weight: 395g
Seatpost weight: 215g
Headset: Tapered(1-1/8" to 1-1/2")
Bottom Bracket: BSA/BB30/PF30
Max Tire size: 700*25C
Available sizes: 48/51/54/57cm



SIZE	ST	SA	TT	HT	CA	FR	OF	WB	FC	RC	BB	Stack	Reach	S
480	495.5	74.5"	510	80	72.5"	388	34.5	922	550	380	60	477.5	378	495.5
510	505.5	74.5"	540	90	72.5"	368	34.5	952	580	380	60	487	405	505.5
540	520	74.5"	561	105	72.5"	368	34.5	974	601.5	380	60	501.5	422	520
570	550	74.5"	586	135	72.5"	368	34.5	999.5	627	380	60	530	439	550

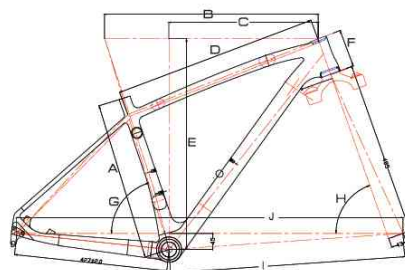
27.5ER Super Light MTB FRAME

FM238



Specification

Use for: 27.5er Mountain bike
Frame: FM238
Feature: (135mm) and Thru Axle (142mm) compatible
Material: Full Toray Carbon
Finish: UD Matt/Clear coating
Frame weight: 950±45g
Headset: Tapered (1-1/8" to 1-1/2")
Bottom Bracket: BSA/BB30/PF30
Available sizes: 15.5"/17.5"/19"/21"



	A	B	C	D	E	F	G	H	I	J
15.5"	400	570	398	555.9	581	100	73.5	70	640.3	1063.4
17.5"	440	595	415.8	570.4	586.8	105	73	70.5	654	1077.1
19"	480	610.5	425.7	584.2	603.4	115	73	71	665	1088.1
20.5"	520	625	439.9	599	618	125	73	71	680.3	1103.5

NEW Full Carbon Wheels



Model	New Full Carbon Wheels (C and I both available)
Rim type	23mm* 46C or 23mm 46T
Finish	3K Matt
Brake surface	Resin braking surface
Hub	DT350
Spoke	13/20H, Full Carbon
Weight	Front wheel: about 620g-C, 520g-T Rear wheel: about 870g-C, 730g-T
Supply with	one pair of skewers two pairs of brake pads



Special Design

Braking surface with small groove, it will help dissipating heat and temperature won't go up when braking.

